



Weaver USQD Rifle Mount Manual

Content

Description

Package Contents

Installation Procedure

Mount position options

Legal Compliances and Disclaimers

Description

Pulsar quick detach universal mounts are designed for quick installation of digital and thermal imaging riflescopes on a hunting shotgun.

The mounts are compatible with the mounting prism of the Talion, Digisight / Digisight Ultra, Apex, Trail riflescopes.

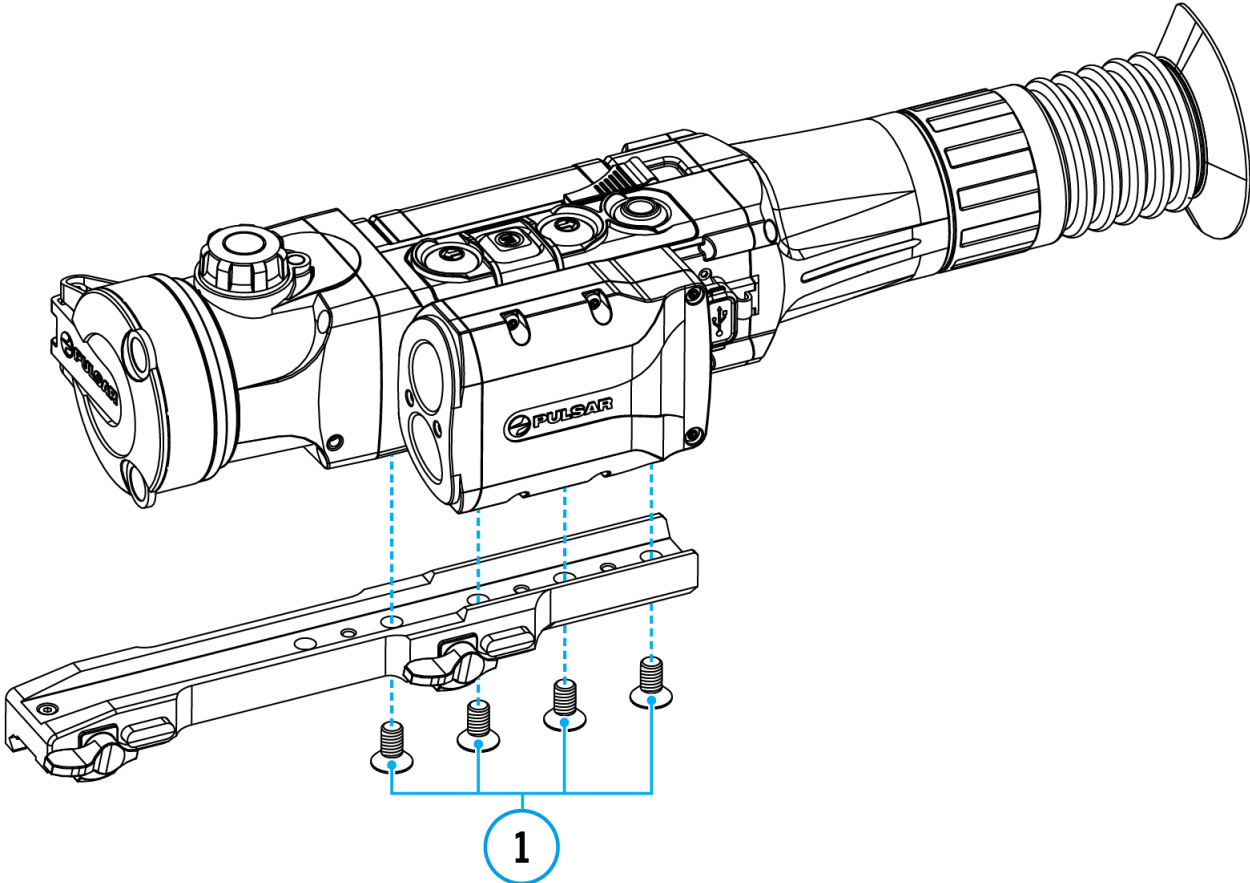
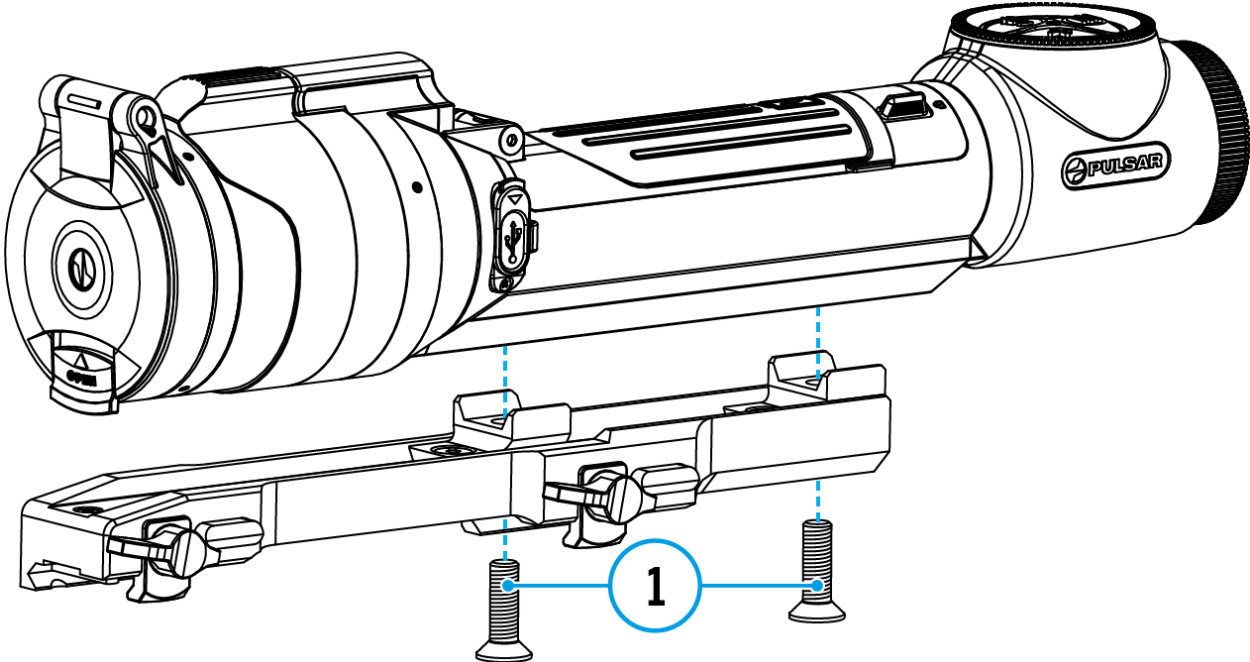
The length of Weaver USQD mounts - 204 mm.

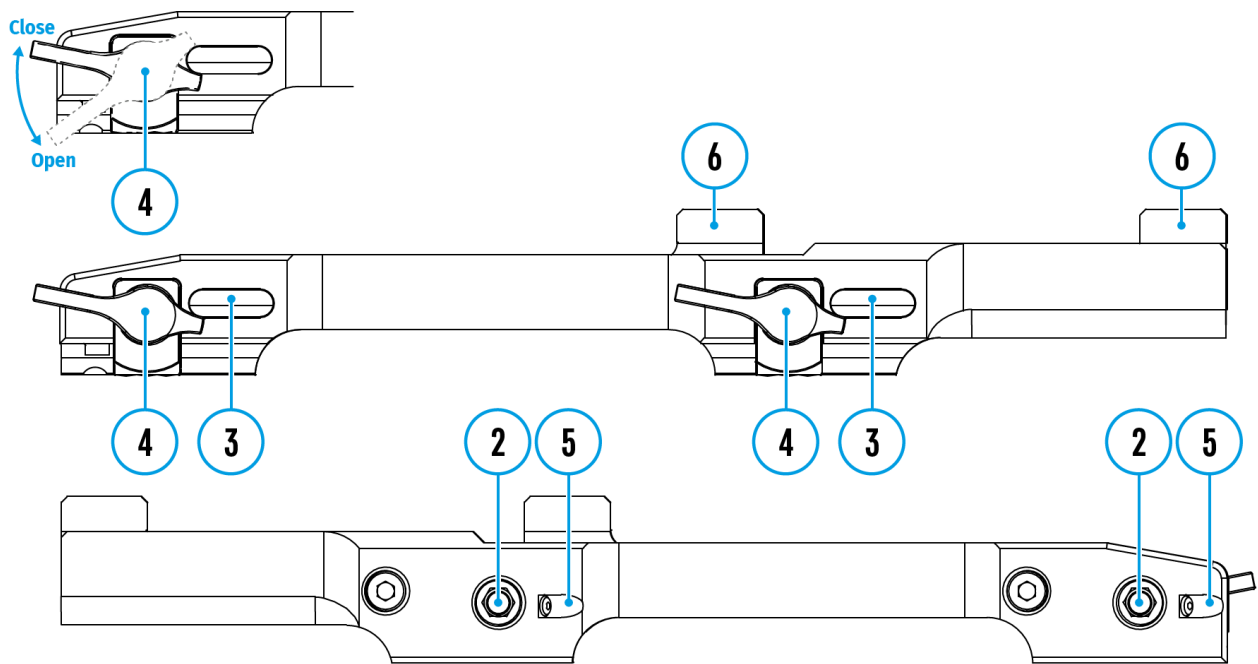
The distance between the centers of the screws securing the mount to the weapon rail (Weaver/Picatinny) is 112 mm.

Package Contents

- Mount
- Mounting screws (4 screws M6x12, 2 screws M6x20, 1 screw M6x16, 1 screw M6x24)
- Allen keys (S1.5; S2.5; S4; S5)
- User manual

Installation Procedure





Important

- Mounting slots in the riflescope base allow you to install the mount into one of several **positions**. Choosing the position of the mount helps to ensure correct eye relief, depending on the type of hunting shotgun.
- Weaver USQD mounts can be attached using either two, three or four screws depending on the riflescope model and the selected mount position.
- To install the mount on Digisight/Digisight Ultra, Apex, Trail riflescopes, disconnect the adapters **(6)** using an S2.5 Allen key.

Installation

- 1.** Attach the mount to the riflescope base using the S4 Allen key and screws **(1)**(clamping force - 4 Nm/35.4 in-lbs).
- 2.** Mount the riflescope on the weapon rail and make sure the chosen position is comfortable.
- 3.** Remove the riflescope from the weapon rail.

4. Unscrew the screws one by one, apply a drop of *Loctite* and screw back until it stops (clamping force - 4 Nm/35.4 in-lbs). Allow the *Loctite* to dry for some time.

5. Move the clamps **(4)** to the OPEN position.

6. Install the mount with riflescope on the weapon rail.

7. Move the clamps **(4)** from the OPEN position to the CLOSE position.

8. If there is any backlash, do the following:

- Loosen the locking screws **(5)** using the S1.5 Allen key.
- Tightening the adjusting nuts **(2)** of the clamps **(4)** with the S5 Allen key, ensure that the mount is securely fixed to the riflescope weapon rail and has no backlash.
- Having achieved the optimal position of the clamps **(4)**, fix them with the screws **(5)** using the S1.5 Allen key.

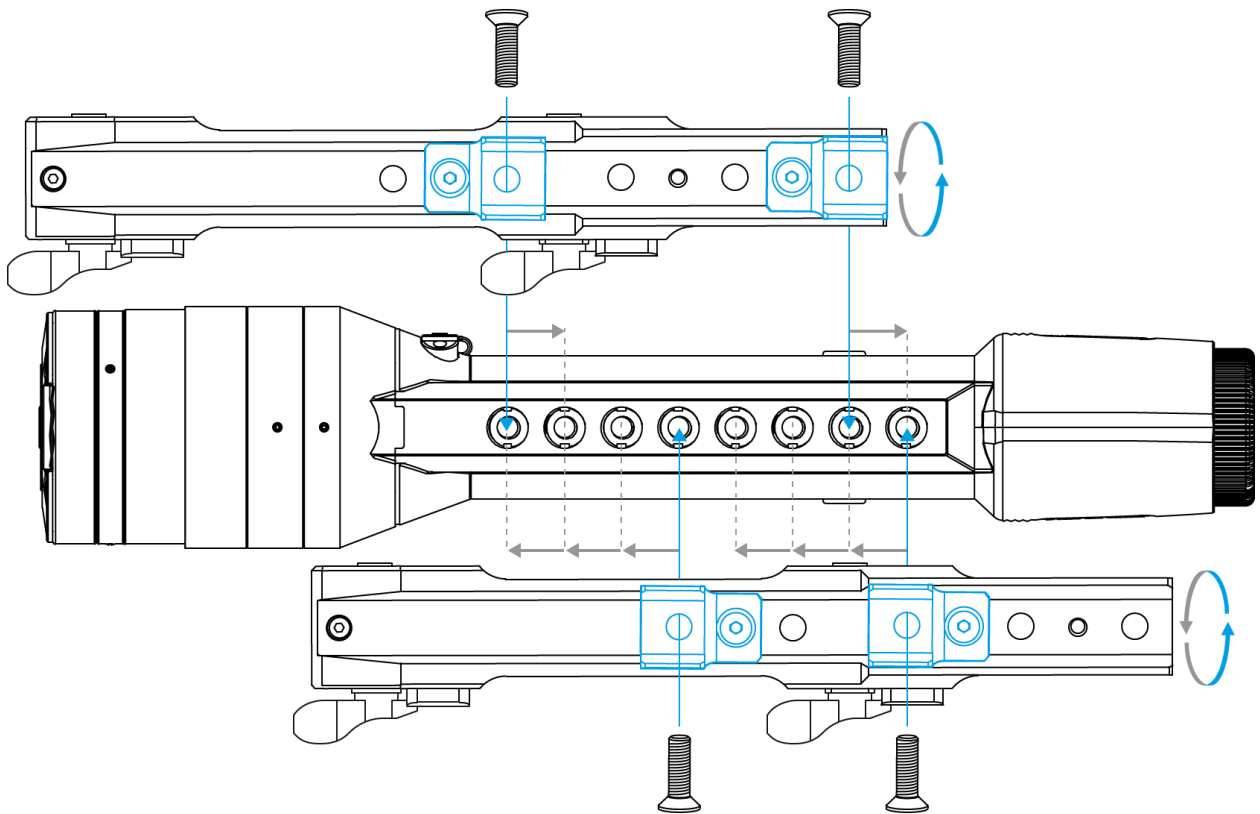
9. Press the locks **(3)** and move the clamps to the OPEN position, the mount should easily be removed from the leaf.

10. The riflescope is ready for zeroing.

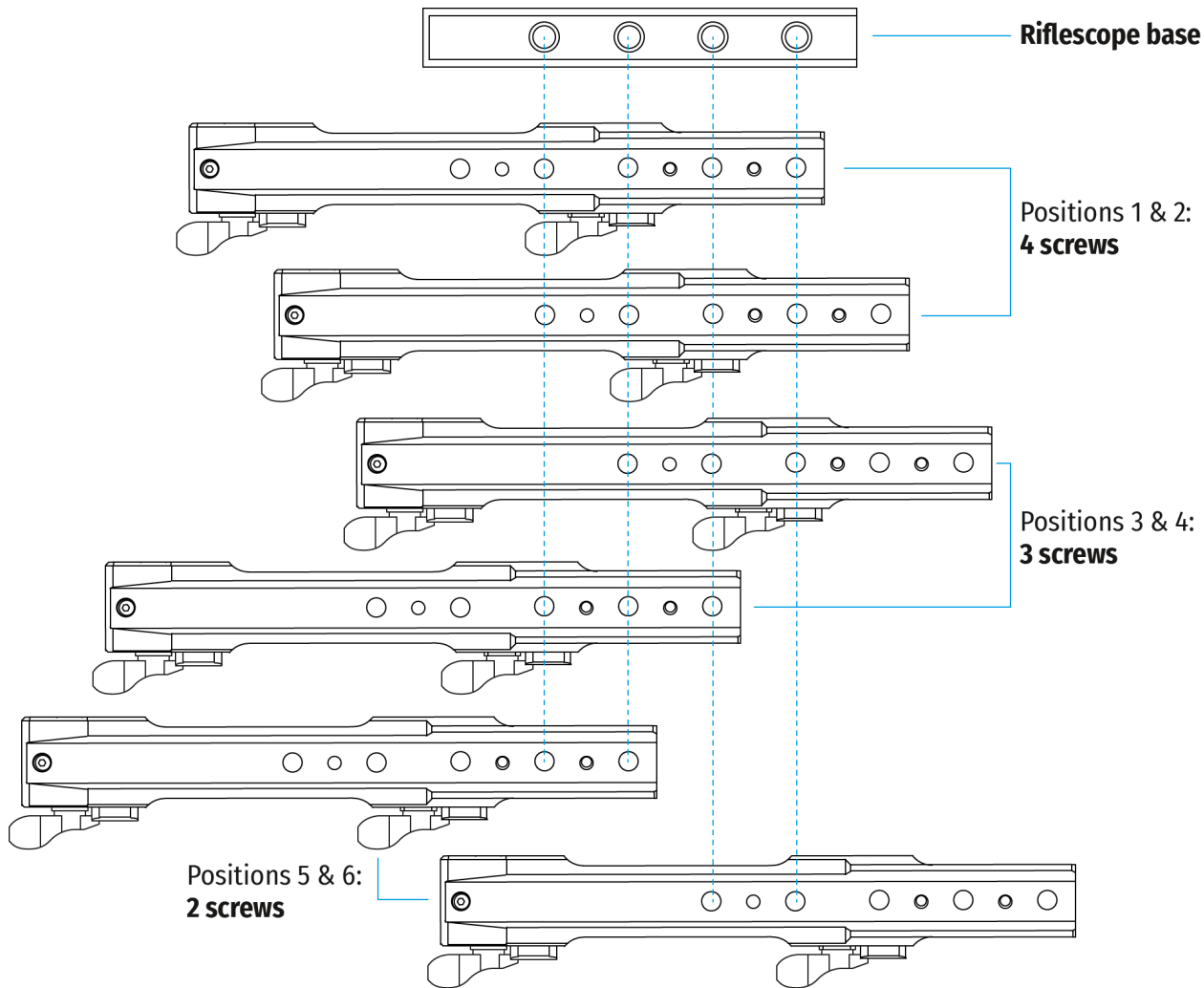
Mount position options

With adapters for a Talion riflescope

To ensure the optimal riflescope position on the mount, you can change the position of the adapters using a hex key S2.5.



Without adapters



Legal Compliances and Disclaimers

The manufacturer reserves the right at any time, without mandatory notice, to make changes to the package contents, design and characteristics that do not impair the quality of the product.

For technical support please contact support@pulsar-vision.com.

Answers to frequently asked questions about the devices can also be found in the [FAQ](#) section.